

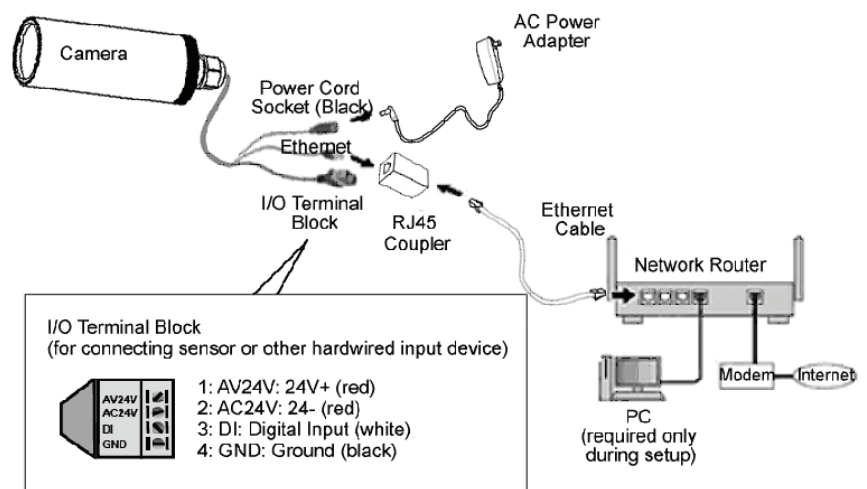
### Required Items for Installation:

- Camera and power adapter (included)
- Broadband (Cable, DSL, or Fiber-optic) Internet connection with router
- Windows or Mac computer
- Login/password for the customer account
- RJ45 female/female coupler (included)
- Ethernet cable for the camera (connect to camera via included coupler)



### Install the Camera(s):

1. Connect the camera's Ethernet cable to the network router using the included RJ45 female/female coupler and a standard Ethernet cable.
2. Apply power (from a non-switched outlet) to the camera using the AC adapter or a Power over Ethernet (PoE) injector.
3. From a computer on the same network as the camera, log into the customer's account at [www.alarm.com](http://www.alarm.com).
4. Type [www.alarm.com/addcamera](http://www.alarm.com/addcamera) into the browser's address bar and follow the on-screen instructions to add the camera to the Alarm.com account.



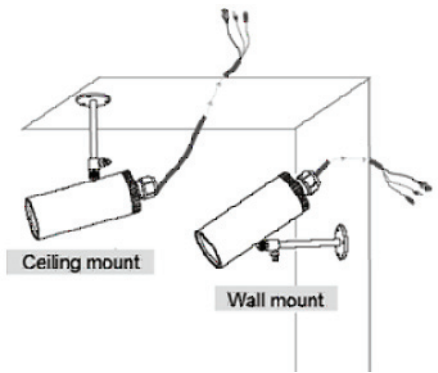
**Questions? Contact Alarm.com Dealer Support at  
1.866.834.0470 or [support@alarm.com](mailto:support@alarm.com).**



## Hardware Installation:

Secure the camera to the wall/ceiling using the supplied camera stand. Note: If camera is ceiling-mounted (with logo upside down), you will need to invert the camera image so live and recorded video does not appear upside down. This setting can be changed on the Camera Image Settings page.

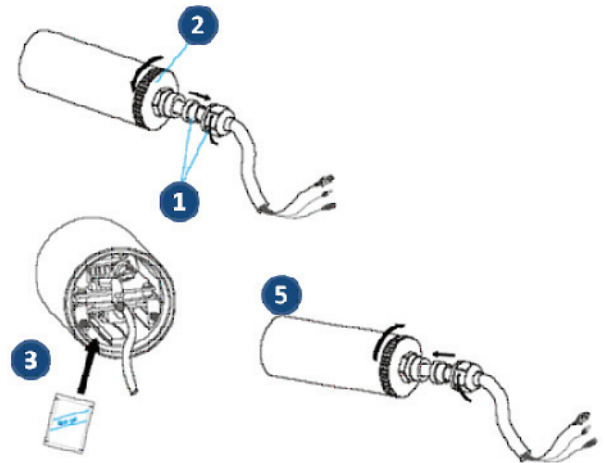
The camera comes with a pre-installed cable, but it can be replaced with a custom cable by using the spare 3-hole, water-tight connector that is included with the camera.



## Weatherproofing the Camera:

The camera is weather-sealed at the factory, but if it is opened in a humid environment the supplied silica gel pack should be installed to prevent fogging of the lens.

1. Loosen the black plastic cable nut, and then pull out the black plastic cable seal.
2. Unscrew the metal back cover of the camera body.
3. Remove the silica gel pack from its plastic pouch, but do not open the silica pack itself. Secure the silica gel pack to the inside of the camera housing using double-sided adhesive.
4. Make sure all cable lines are securely connected.
5. Tighten the back cover, rubber seal, and black plastic cable nut.

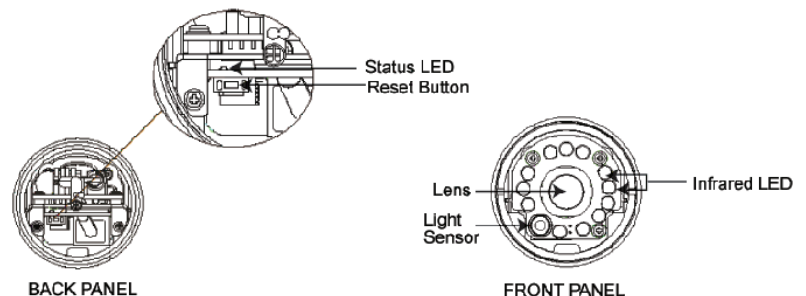


## Physical Details:

### Notes:

The Infrared LEDs provide illumination of up to 30ft for nighttime video viewing and recording.

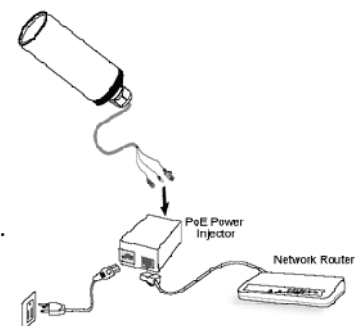
Operating temperature range is -4 to +122 F (-20 to +50 C).



## Power over Ethernet – PoE (Optional)

This camera model is PoE-compatible, allowing it to be powered by the Ethernet cable if connected to a PoE power injector installed at the network router.

With this installation configuration, the camera's power wire and AC power adapter are not used.



Questions? Contact Alarm.com Dealer Support at  
1.866.834.0470 or support@alarm.com.

